

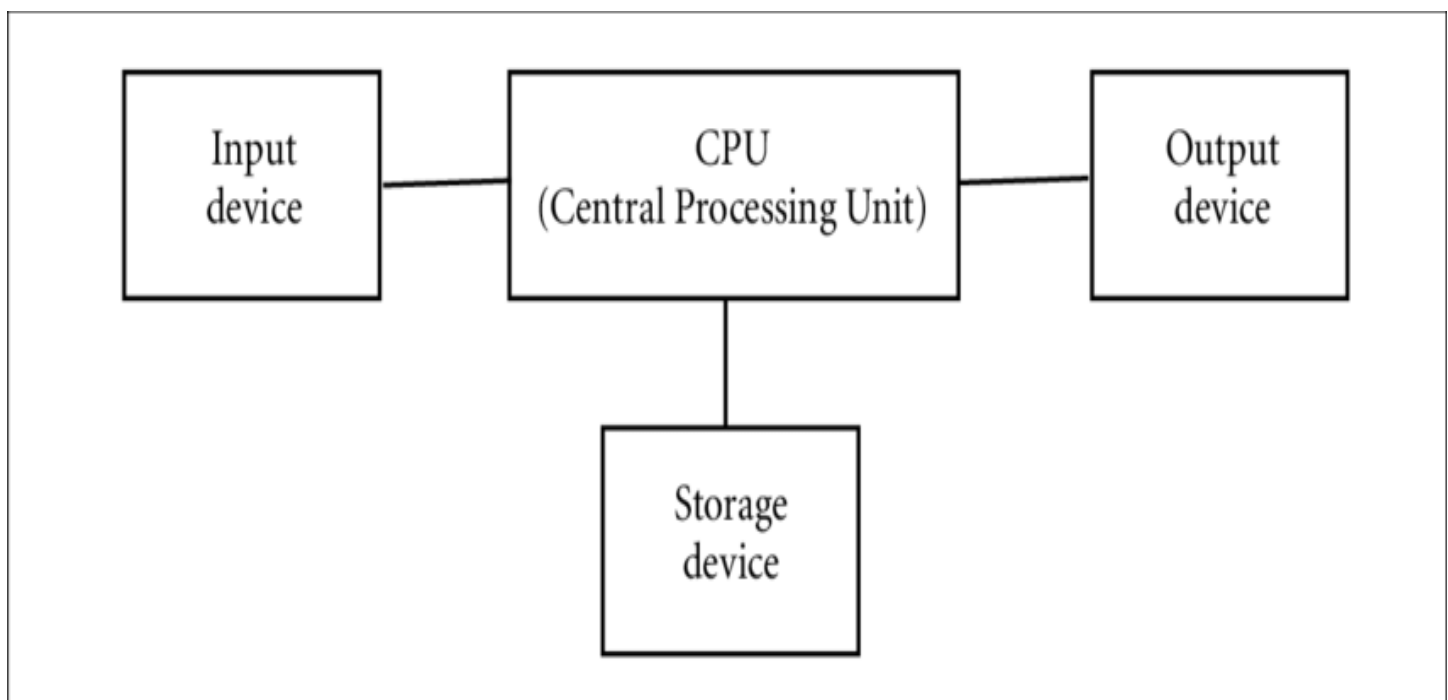
CCA-101: Fundamentals of IT & Programming
Assignment-1

Ans1: <i> **Central processing unit(CPU)**- It is full version of the CPU. It is also called the brain of the computer.

<ii> **Memory unit**- It is used to store data, instructions and information.

<iii> **Input**- An input device, sends information to a computer system.

<iv> **Output**- An output device, send data from a computer to another device or user.



Ans2: Computer Based on size

<i>**Super computer**-It is a computer with a high level of performance as compared to a general-purpose computer.

<ii>**Mini computer**- computer that was smaller, but more powerful and more expensive than personal computer.

<iii> **Micro computer**- It is a complete computer on a small scale, designed for use by one person at a time.

<iv> **Mainframe computer**-It is largest in size and used to make servers.

Based of capacity

<i>**Digital computer**-It operates on data, including magnitudes, letter, and symbols, that are expressed in binary code.

<ii> **Hybrid computer**- It is a computer that exhibit features of analog and digital computer.

<iii>**Analog computer**- It work on the same principal that a human mind works.

Ans3: Generation in computer terminology is a change in technology a computer was/is being used.

Five computer Generation are defined:-

Generation of computer	Evolving Hardware
First Generation	Vacuum tube Based
Second Generation	Transistor Based
Third Generation	Integrated circuit Based
Fourth Generation	Microprocessor Based
Fifth Generation	Artificial Intelligence Based

Ans4:

- **Volatile memories**-It loses the stored memory as soon as someone interrupts the power supply.
- **Non-Volatile memories**-It is a semiconductor technology that does not require a continuous power supply to retain the data or program code stored in a computing device.

Ans5:

- **system software**-It a type of computer program that is designed to run a computer's hardware and application programs.

Priya

- **Application Software**-It is referred to as an electronic device. It accepts data, processes it, and outputs the appropriate results.
- **Open source software**-It can provide collaborative, effective and secure solutions for users.

Ans6: About Myself

I am Priya Rawat belongs to village Farsula in district of Pauri Garhwal Uttarakhand.

I am also learning computer from CDA (THE CAREER DEVELOPMENT ACADEMY).

I have complete my Senior Secondary from Uttarakhand Board.

My hobbies are to play Volleyball or dancing.

“Need to get IMS’s, Address”.

Ans7: MS Word

MS Word is a widely used commercial word processor developed by Microsoft.

MS word is application software, which is capable of

- **Creating**,
- Editing,
- **Saving**, and
- printing any type of document

Ans8: Equations

$$X_2 + Y_5 = 30$$

$$Z^3 + Q^4 = 50$$

$$A_2 + B^8 = X_2 + Y^8$$

Ans9:

Select the text you want to convert.

Select the **Insert** tab.

Click on **Table** command. A dialog box appears.

Click on **convert text to Table, a new** dialog box appear.

here set number of columns.

Click on OK Finally Selected text convert in a table.

Select the text you want to convert.	Select the Insert tab.
Click on Table command. A dialog box appears.	Click on convert text to Table, a new dialog box appear.
here set number of columns	Click on OK Finally Selected text convert in a table

Ans10: Step to following insert a table:-

Step1: click on the insert at the ribbon.

Step2: Click table option in insert group.

Step3: Click create table.

Step4: Enter number or rows and columns.

Priya

Step5: Click OK button, table will be inserted in your Document .

Ans11:

	A	B	C	D
1	Roll no	Name	Marks	
2	1	n1	60	
3	2	n2	70	
4	3	n3	80	
5	4	n4	90	
6	5	n5	40	
7	6	n6	50	
8	7	n7	77	
9	8	n8	44	
10	9	n9	88	
11	10	n10	55	
12				

Ans12:

	A	B	C	
1	Roll no	Name	Marks	
2	1	n1	60	
3	2	n2	70	
4	3	n3	80	
5	4	n4	90	
6	5	n5	40	
7	6	n6	50	
8	7	n7	77	
9	8	n8	44	
10	9	n9	88	
11	10	n10	55	
12		sum	654	
13		Average	65.4	
14		Higest	90	
15		Lowest	40	

Ans13: a)

➤ Modify column width-

Home menu – Format – Column width

➤ Modify Row height-

Home menu – Format – row height

- Delete rows and columns

Home menu – Delete – Delete rows and columns

b)

- ->**Absolute Reference**- It refers to the function used to compute statistics.

->**Relative Reference** – It are basic cell reference that adjust and change when copied or when using auto fill.

- **Cell Address**- It is scalar quantity that is used in a worksheet to identify a single cell.

Ans14:a) To customize our PowerPoint presentation are followed–

- Transitions
- Radials
- Animation
- Audio & Video
- Themes& templates

b) To create PowerPoint presentation-

➤ **Collage name & Name**



➤ **Title and Content**



Priya

➤ Clip art and Text



➤ Slide show effects



Part 2

Ans16:

- **Machine Language-** It is the native language directly understood by the computer's CPU.
- **High Level Language-** It is more structured, are closer to spoken language and are more intuitive than low level language.

Ans17: there are four Data types of C programming language these are-

- Int(Integer)
- Float(floating point number)
- Char(character)
- Double(double precision floating point)