

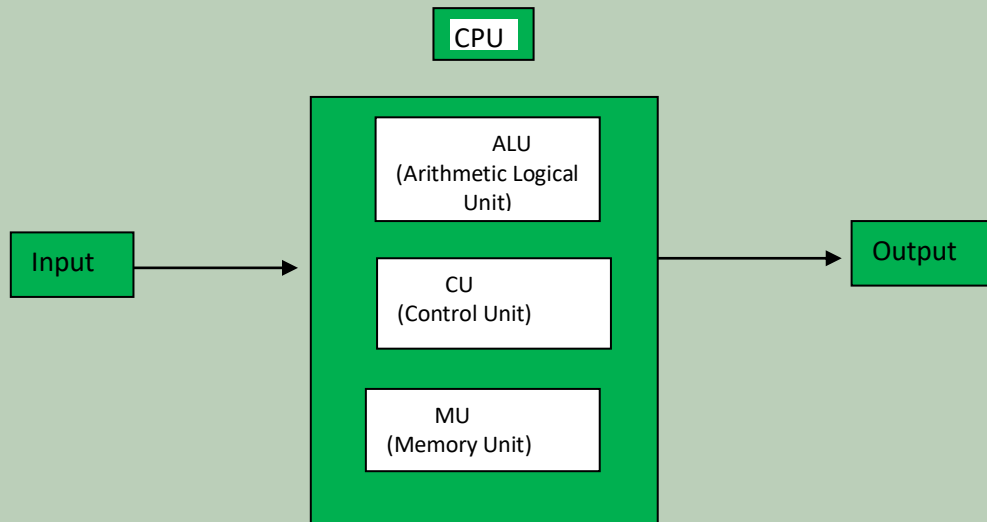
CCA

ASSIGNMENT - I

ASSIGNMENT-1

1.What are the four fundamental part of computer?

Explain it with help of diagram.



2.Discuss About The Classification Of Computer Based Onsize And Capacity.

FEATURES	MICRO COMPUTER	MINI COMPUTER
Primary Memory	Small Memory	Large Memory
Word Length	Small Word Length	Large Word Length
Cost Low	Low	High

3.What Is The Meaning Of Computer Generation? How Many Computer Generationare Defind? What Technologies?

GENERATION OF COMPUTER

MEANING:

WHAT DO YOU MEAN BY THE GNERATION OF COMPUTER?

Generation in computer technology is a charge in technology a computer is/was being used. Initially,the generation term was used to distinguish between varying hardware technologies.

GENERATION	PERIOD	TECHNOLOGY USED
1 <sup>st</sup> Generation	1946-1956	Vaccum Tubes
2 <sup>nd</sup> Generation	1956-1965	Transistor
3 <sup>rd</sup> Generaton	1965-1971	Integrated circuits
4 <sup>th</sup> Generation	1971-1980	Microprocessor
5 <sup>th</sup> Generation	1980-present	AL & ULSI

4.Diffrentiate Between Volatile And Non Volatile Memory?

- ❖ Volatile memory is computer storage that only maintains OTS data while the device is powered volatile memory contrast with non-volatile memory which does lose content when power is lost non-volatile does not need to have its memory content periodically refreshed.

5. System Software Application Software And Open Source Software Basis Feature?

Open source software (OSS) refers to source code that is available for use and distribution with the original rights as defined by the open source initiative (OSI) such software is generally distributed under a general public license (GPL) or software distribution license.

6. Creating File In Ms Word Insert Paragraph About Yourself?

- My name is A.Thillai Natarajan.
- I am 21 years old.
- I am from trichy.

7. Ms Word Application Software And Which Is Capable?

- Creating
- Editing, and saving
- Printing and type of document

8. Equations Describe All The Steps Involved In It?

$$Xx_{22} + yy_5 = 30$$

$$ZZ_3 + QQ_4 = 50$$

$$AA_{2+BB} = XX_{2+Y} Y_8$$

9. Create A File In Ms Word Convert Existing Highlight Text To Table Save At A Box File Name text To Table?

Select the text you want to convert.	Select the insert tab.
Click on table command. a dialog box appears.	Click on convert on text to table, a new dialog box appears.
Here set number of columns.	Click on ok finally selected text convert in a table.

10. create a file in ms word to insert a table in the document describe all steps involved in it?

THE AUTOSUM EXCEL FUNCTION CAN BE ACCESSED BY TYPING ALT = THE = SIGN IN A SPREADSHEET ,AND IT WILL.	AUTOMATICALLY CREATE A FORMULA TO SUM ALL THE NUMBERS IN A CONTINUOUS RANGE.	AVERAGE RANGE THIS ARGUMENT CONSISTS OF THE RANGE OF CELLS THE CONTAIN NUMBERS YOU WANT TO AVERAGE IT IS THE OPEN.
THE FASTEST WAY TO BUILD A MAX FORMULA THAT THE HIGHEST.	THE FASTEST WAY TO BUILD A MAX FORMULA THAT THE HIGHEST .	THE FASTEST WAY TO BUILD A MAX FORMULA THAT THE HIGHEST.
THE FASTEST WAY TO BUILD A MAX FORMULA THAT THE HIGHEST.	THE FASTEST WAY TO BUILD A MAX FORMULA THAT THE HIGHEST.	THE FASTEST WAY TO BUILD A MAX FORMULA THAT THE HIGHEST.

A	B	C
1	N1	60
2	N2	70
3	N3	80
4	N4	90
5	N5	40
6	N6	50
7	N7	77
8	N8	44
9	N9	88
10	N10	55

A	B	C
---	---	---

S.NO	NAME	MARKS
1	N1	60
2	N2	70
3	N3	80
4	N4	90
5	N5	40
6	N6	50
7	N7	77
8	N8	44
9	N9	88
10	N10	55

B	C
TOTAL	654
AVERAGE	65.4
MAX	90
MIN	40

### 13.To Modify Column Width Of A Worksheet.

To change the width of a single column drag the right border of the column is set to the to the multiple columns select the column of inters and drag the border of any column heading.

- To modify column width of a height worksheet.
  1. Adjust it by hand.
  2. Adjust it by ribbon menu item.
  3. Adjust it by popup menu item.
- To delete rows and columns of a worksheet.

Select entire row or column shift space is the keyboard shortcut to select an entire row ctrl+space is the key board short cut to select an entire column.

### 14.Describe Following Term In The Worksheet.

- ❖ Absolute reference and relative reference in formula.
- ❖ When you copy the formula and paste I in cell even then excel will follow the same steps for locating the second cell mentioned in the formula.
- Cell address:
  - The address function created a cell address from a given row and column number.
  - The syntax of the address function is address (row,num,colum,).

Urumu Dhanalakshmi College

Kattur,(Trichy)