

[Type text]

## **ASSIGNMENT – 2**

### **Data Communication**

#### **Questions**

**Q1 : What is Data Communication ?**

**Q2: What is its purpose ?**

**Q3: Show how Layer Wise Connecting Devices ?**

**Q4: What does it mean by Gateway ?**

**Q5: What is Ethernet ? How does it works ?**

**Q6:What is the Internet ?**

**Q7:Give the full form of HTTP ?**

[Type text]

**Q8: Who is the father of email ?**

**Q9: what is the differences of Active hubs and Repeater ?**

**Q10: How is representation of Message in DCs**

## **SOLUTIONS :**

**Ans:1**

**Communication means sharing of information .**

**Data Communication is a technology which is used to transfer data from a sender machine to receiver machine .**

**The shared information (message) can be in the form of text, images , audio, video or a good mix of some of them.**

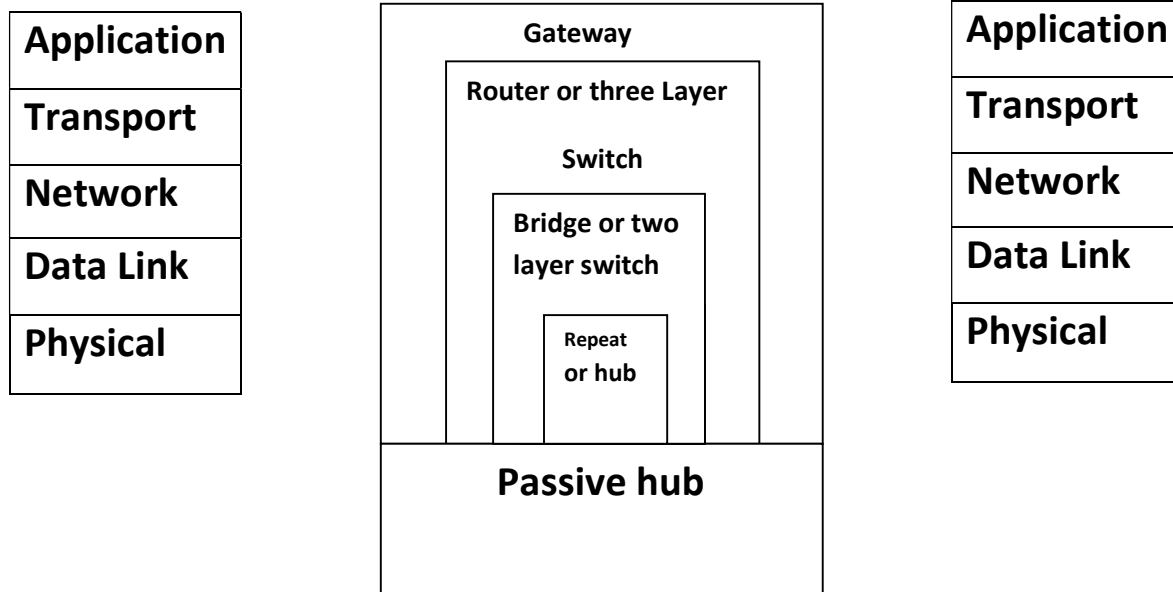
[Type text]

**Ans :2**

**The purpose of a DCs is to transmit the message signal from a source to a destination.**

**Ans: 3**

### **Layer – Wise connecting Devices**



[Type text]

**Ans: 4**

**Gateway means that it can be used as a connecting device between two inter- networks that use different models.**

**Ans: 5**

**Ethernet is defined as a networking technology that includes the protocol, port, cable, and computer chip needed to plug a desktop or laptop into a local area network (LAN) for speedy data transmission via coaxial or fibre optic cables.**

**The Ethernet protocol employs a star topology or linear bus, which is the basis for the IEEE 802.3 standard. In the OSI network structure , this protocol works both the physical layer and data link layer, the first two levels.**

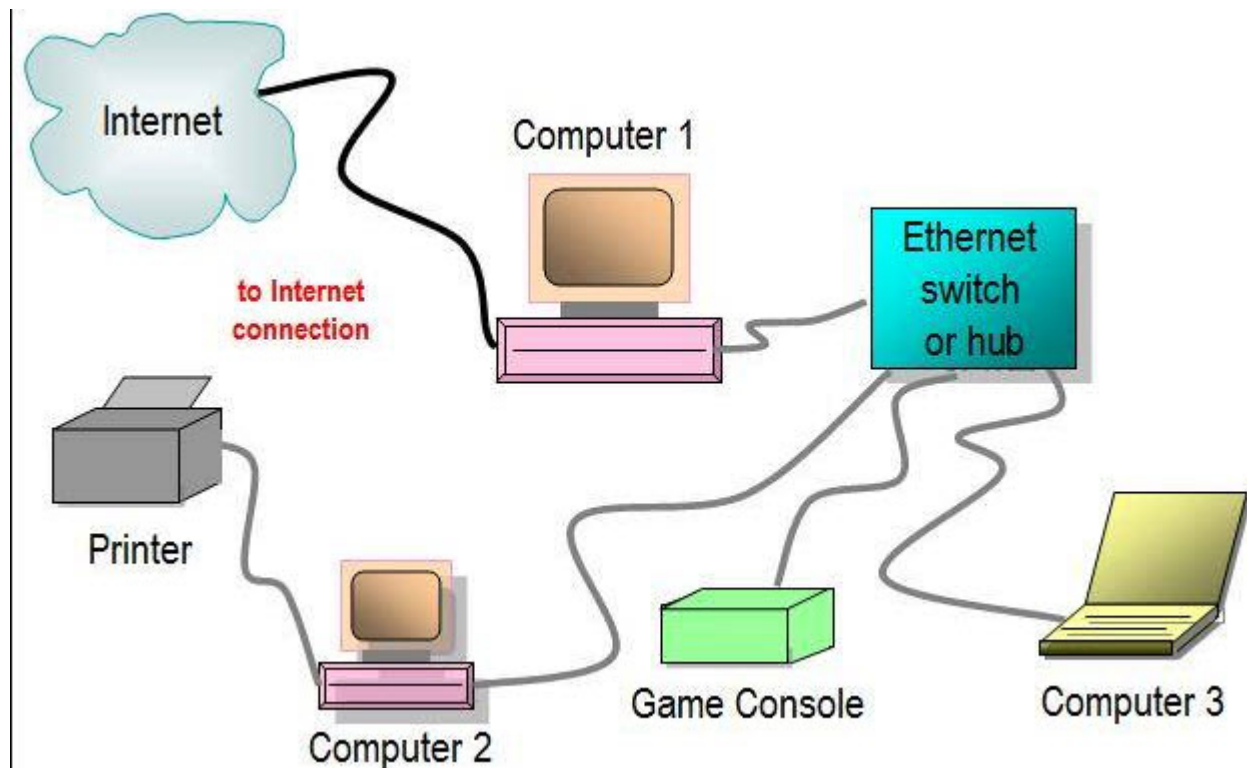
**Ethernet divides the data connection layers : the logical link**

**Control tier and also the medium access control (MAC) tier.**

**The data connection layer in a network system is primarily concerned with transmitting data packets from one node to the other. Ethernet employs an access mechanism known as CSMA/CD ( Carrier Sense Multiple Access/Collision Detection ) to**

[Type text]

**enable each computer to listen to the connection before delivering data network.**



**“This is how Ethernet works”**

**Ans: 6**

**The Internet is a global network of networks connecting millions of users worldwide Via many computer networks using a simple standard common addressing system and basic communication protocol.**

[Type text]

**Ans : 7**

**The full-form of HTTP is Hyper Text Transport Protocol**

**Ans : 8**

**The father of Email is Raymond Samuel Tomlinson.**

**Ans : 9**

**Differences of a Hub and a repeater :**

**A hub is used to connect multiple devices together to create a LAN**

**While**

**A repeater is used to the extend to reach of a network signal**

[Type text]

**Ans : 10**

**Representation can be represented in DCs**

- **Text representation**
- **Numbers representation**
- **Images representation**
- **Video representation.**

**THANKYOU!**